

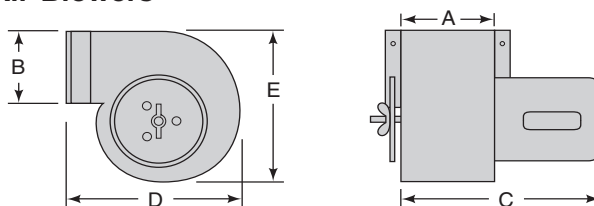


**Eclipse  
Combustion**

# AIR HEAT BURNERS Accessories

**Data 140-5**  
**3/06/06**

## Combustion Air Blowers



### 60 Hz Blowers

Blower Cat. No.	Assy. No.	Rotor No.	Capacity CFH	Static Press "w.c.*	TEFC Motor 230/460/3/60		
					HP	RPM	Part No.
54-54S-1/3	109410	16328	20,000	1.90	1/3	3450	12109*
65-84S-1/3	109241	16706	43,000	1.50	1/3	1750	12110
66-94S-3/4	109243	10539-1	63,000	2.00	3/4	1750	11803
66-94S-1	109244	10539-2	78,000	1.50	1	1750	11819
67-114S-1.5	109232	12408	90,000	2.70	1-1/2	1750	11855
67-114S-2	109233	12408	118,000	1.50	2	1750	11311
67-115S-1.5	109139	12409	108,000	2.70	1-1/2	1750	11855
67-115S-2	109235	12409	121,000	2.00	2	1750	11311
78-126S-3	109140	14145	160,000	2.00	3	1750	14239
78-136S-5	109130	14147	195,000	2.40	5	1750	14240

### 50 Hz Blowers

Blower Cat. No.	Assy. No.	Capacity CFH	Static Press "w.c.*	Motor			
				kW	RPM	Part No.	Specifications
MN 402	101293	20,000	1.2	0.25	2850	20519	230/440/3/50
MN 502	101294	42,400	1.6	0.37	2850	20520	230/440/3/50
MN 602	101295	74,200	1.6	1.10	2850	20523	230/440/3/50

\* Additional capacity at reduced pressure. Static pressure measured at blower outlet using American Fan Association Standards.

\* TENV Motor

### 60 Hz Blowers

Dimensions Inches (mm)	Blower Catalog Number				
	54-564S-1/3	65-84S-1/3	66-94S-3/4 66-94S-1	67-114S-1.5 67-114S-2 67-115S-1.5 67-115S-2	78-126S-3 78-136S-5
A	4.00 (102)	6.06 (154)	6.06 (154)	6.25 (159)	7.87 (200)
B	4.12 (105)	5.06 (129)	6.31 (160)	7.06 (179)	7.06 (179)
C 1/3 HP	12.25 (311)	14.62 (371)	---	---	---
C 3/4 HP	---	---	15.50 (394)	---	---
C 1 HP	---	---	16.62 (422)	---	---
C 1-1/2 HP	---	---	---	19.31 (491)	---
C 2 HP	---	---	---	19.31 (491)	---
C 3 HP	---	---	---	---	19.75 (502)
C 5 HP	---	---	---	---	20.75 (527)
D	8.31 (211)	12.93 (329)	15.00 (381)	16.56 (421)	19.56 (497)
E	8.62 (219)	13.75 (349)	15.50 (394)	18.75 (476)	21.00 (533)
Wt. Lbs. (kg)	6.4 (3)	19.5 (9)	24.0 (11)	36.0 (16)	46.0 (21)

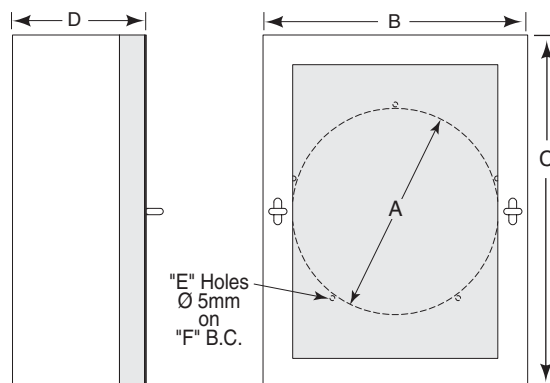
Note: Weight does not include motor.

### 50 Hz Blowers

Dimensions Inches (mm)	Blower Catalog Number		
	MN 402	MN 502	MN 602
A	4.33 (110)	4.33 (110)	5.51 (140)
B	5.12 (130)	6.30 (160)	7.48 (190)
C	11.61 (295)	12.52 (318)	15.15 (385)
D	8.78 (223)	10.75 (273)	13.30 (338)
E	10.63 (270)	12.68 (322)	15.94 (405)
Wt. Lbs. (kg)	6.4 (3)	19.5 (9)	24.0 (11)

Note: Weight does not include motor.

## Filters For Air Heat Burners

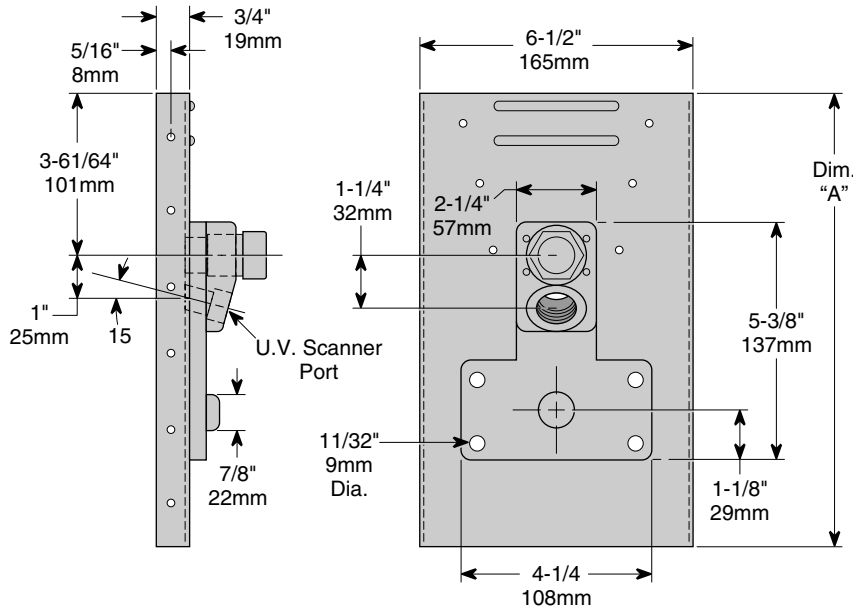


Blower Size	Used on Burner Size	Filter Cat. No.	Filter Assy.No.	Filter Media Assy.No.	Dimensions Inches (mm)					
					A	B	C	D	E	F
54-54 S	40 thru 120	2 AHFS	10009319	10009322	6.0 (150)	8.5 (216)	11.7 (298)	4.3 (110)	4	6.5 (165)
65-84S	160 thru 240	3 AHFS	10009261	10009271	8.0 (208)	10.5 (267)	14.0 (356)	5.3 (135)	5	8.5 (216)
66-94 S	280 thru 480	4 AHFS	10009262	10009272	9.5 (241)	14.0 (356)	20.0 (508)	5.5 (141)	5	10.0 (254)
67-115 S	520 thru 720	5 AHFS	10009263	10009273	11.0 (280)	16.0 (406)	20.0 (508)	7.0 (179)	6	11.7 (298)

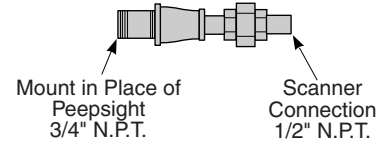
# U.V. Scanner Mounting Accessories

## Bracket/End Plate Assembly

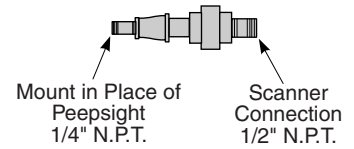
For main flame supervision at point other than pilot location. Can be mounted opposite pilot on line burner section or at any end or corner of a tee section.



## Scanner Adaptor 109000 For Sizes thru 400 AH

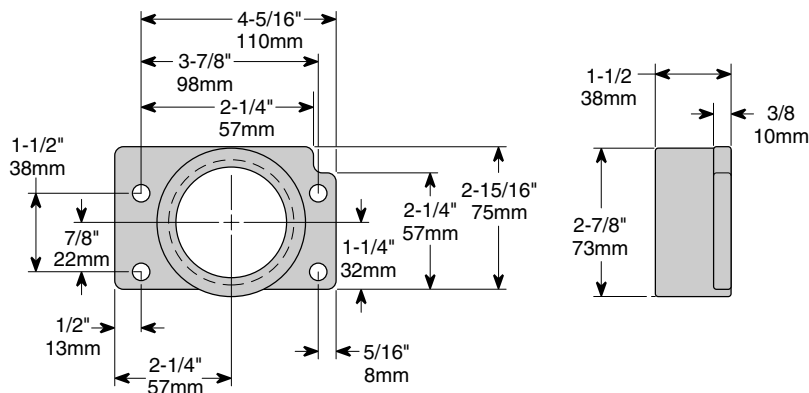


## Scanner Adaptor 109559 For Sizes 440 thru 800 AH



Air Heat Burner Size & Type	Scanner Size (" N.P.T.)	End Plate Assy. No.	Dimension "A"	
			Inches	mm
40 thru 120 AH	1/2	109217	10-9/16	268
	3/4	109224		
280 thru 320 TAH, 160 CAH 160 thru 320 AH	1/2	109218	12-5/16	313
	3/4	109225		
360 AH	1/2	109219	14-1/16	357
	3/4	109226		
400 thru 640 AH	1/2	109220	15-3/16	386
	3/4	109227		
440 thru 640 DAH	1/2	109221	17-13/16	452
	3/4	109228		
360 thru 720 TAH 680, 720 & 800 AH	1/2	109222	18-13/16	478
	3/4	109229		

## Optional End Casting



Auxiliary 2" N.P.T. gas inlet. No pilot or flame sensor provisions. Provides additional gas inlets necessary for systems with more than 10 lineal feet of burner.

**ECLIPSE™**  
Innovative Thermal Solutions

**Eclipse Combustion**



**Offered By:**

Power Equipment Company  
2011 Williamsburg Road  
Richmond, Virginia 23231  
Phone (804) 236-3800  
Fax (804) 236-3882

---

[www.peconet.com](http://www.peconet.com)